
Merle Reinikka Founder's Award 2025 Information and Entry Form

The Merle Reinikka Founder's Award intermediate level faceting competition was initiated in 2018 by the Columbia-Willamette Faceters Guild design group and approved by the membership. The challenge is only open to Guild members.



Requirements:

- Facet Material: Cubic Zirconia (CZ), any color.
- Size: **10mm in width**, with a 0.5mm girdle
- Design: **Rand's Cut Corner Rectangle** by Dan Clayton. This is in the May issue of FACETS and on our website.
- Only stones which receive a score of 85 or higher are eligible for the award. Of those, the stone with the highest score wins the trophy.
- To enter, just bring your stone to **the Guild meeting on or before November 3, 2026** or mail it to the **Guild address**. Postage both ways is the responsibility of the entrant. Your gem will NOT be insured by CWFG, but care will be taken to ensure its safety. **Stone must be received on or before the November 3, 2026 Guild meeting.**

A winner will announced at the annual Holiday Dinner in December. Stones will be returned to the owner in January 2027.

Mail to:

Columbia-Willamette Faceters Guild
PO Box 684
Fairview, OR 97024

- Your entry should be in a container that protects it from incidental harm and that is labeled clearly enough so we know who it is from. The judge does not see entrant's name. Please include this entry form or a facsimile thereof.

Merle Reinikka Founder's Award Entry 2026

Name: _____

Postal Address: _____

Email Address: _____

Contact Phone: _____

Description of Gemstone: _____
(Material, Size, Color, Weight) _____

Editor's Note: This is the design for the 2026 Merle Reinikka Intermediate Faceting competition. It's a versatile design that performs well on a wide range of gemstones, but it really pops in CZ.

Rand's Cut Corner Rectangle

by Dan Clayton 2004

Facet Data

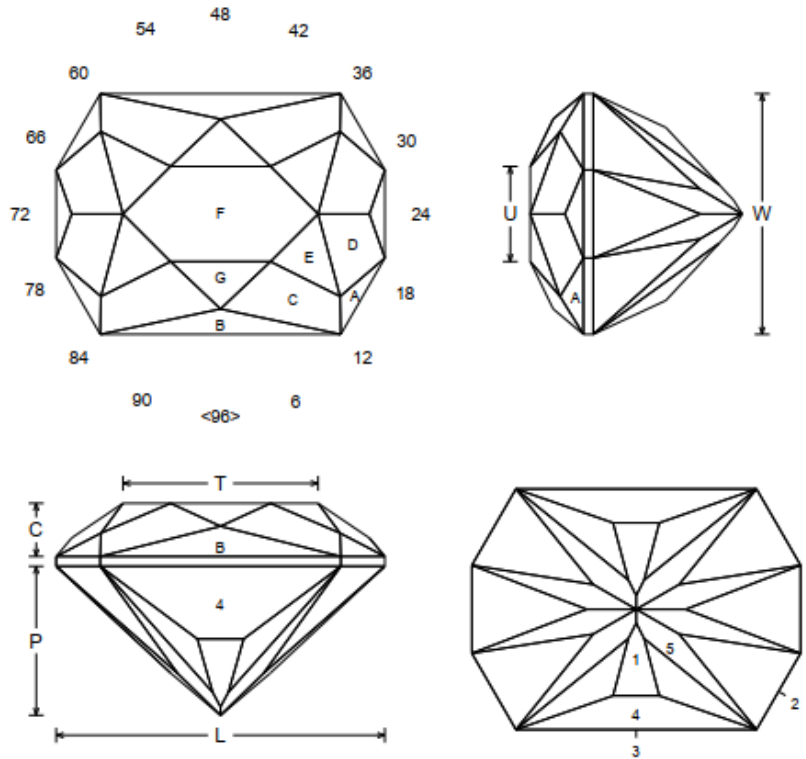
Pavilion facets	22	Pavilion tiers	3
Girdle facets	8	Girdle tiers	2
Crown facets	22+1	Crown tiers	6+1
Total facets	53	Total tiers	12

Size Data

L/W	1.366	P/W	0.619
T/W	0.811	C/W	0.221
U/W	0.395	H/W	0.881
V/W^3	0.508	P/C	2.802

Design Data

R.I. range	1.54 - 2.15
Symmetry	2-fold, mirror
Index gear	96
Shape	Rectangle



Comments

2026 Merle Reinikka Intermediate Faceting Competition
 Material - Cubic Zirconia (CZ)
 Width - 10mm +/- .1mm
 Girdle - .5mm +/- .1mm

Pavilion

1	43.00	96-08-16-24-32-40-48-56-64-72-80-88	Cut to centerpoint
2	90.00	16-24-32-64-72-80	set stone length
3	90.00	96-48	meet 1-1-2-3
4	65.00	96-48	level girdle
5	41.20	12-20-28-36-60-68-76-84	girdle meetpoint, new PCP

Crown

A	50.00	16-24-32-64-72-80	set girdle thickness
B	50.00	96-48	level girdle
C	32.00	03-45-51-93	girdle meetpoint
D	35.00	20-28-68-76	girdle meetpoint
E	22.00	12-36-60-84	meet C-A-D
F	0.00	Table	meet E-D-D-E
G	25.84	96-48	meet C-B-C

PC 04.189 Emerald Prince 500

Larson, Vernon (Larry); Facets, May 98, p4
Cutting instructions by Diana Carroll

Facet Data

Pavilion facets	32	Pavilion tiers	7
Girdle facets	10	Girdle tiers	3
Crown facets	26+1	Crown tiers	8+1
Total facets	69	Total tiers	19

Size Data

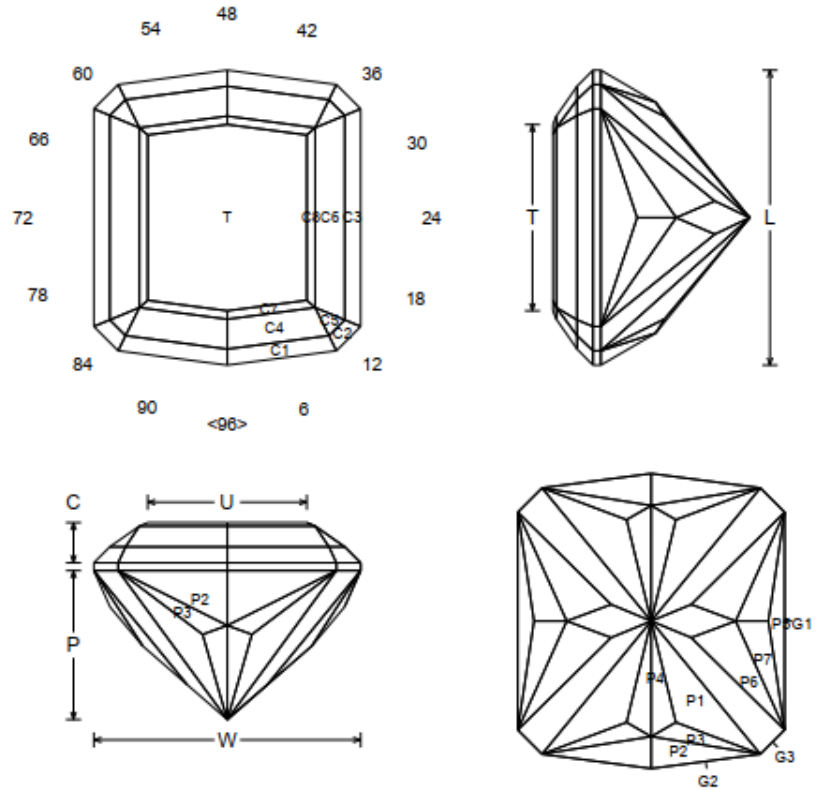
L/W	1.105	P/W	0.558
T/W	0.698	C/W	0.151
U/W	0.596	H/W	0.738
V/W^3	0.360	P/C	3.704

Design Data

Angles for R.I.	2.15
Index gear	96
Shape	Rectangle

Comments

This was one of the proposed designs for the Merle Reinikka competition.
It wasn't selected because it isn't entirely a meetpoint design.



Pavilion

P1	41.00	09-12-24-36-39-57-60-72-84-87	Cut to Center Point
G1	90.00	24-72	Set stone width
G2	90.00	02-46-50-94	Set stone length, G1 x 1.1
P2	60.00	02-46-50-94	Level girdle, meet P1
P3	50.50	04-44-52-92	Meet 2-4 girdle
P4	39.39	02-46-50-94	Meet center point & P2
P5	66.00	24-72	Level girdle
P6	45.00	20-28-68-76	Level girdle, meet P1
P7	50.25	22-26-70-74	Adjust to meet P6, P1, and girdle
G3	90.00	12-36-60-84	Meet P1-P6-P7-P3

Crown

C1	45.00	02-46-50-94	Set girdle height
C2	45.00	12-36-60-84	Level girdle
C3	45.00	24-72	Level girdle
C4	35.00	02-46-50-94	Height is faceter's (or stone's) choice
C5	35.00	12-36-60-84	Meet C4
C6	35.00	24-72	Meet C5
C7	23.00	02-46-50-94	Meet C5
C8	23.00	24-72	Meet C5
T	0.00	Table	Height is faceter's (or stone's) choice